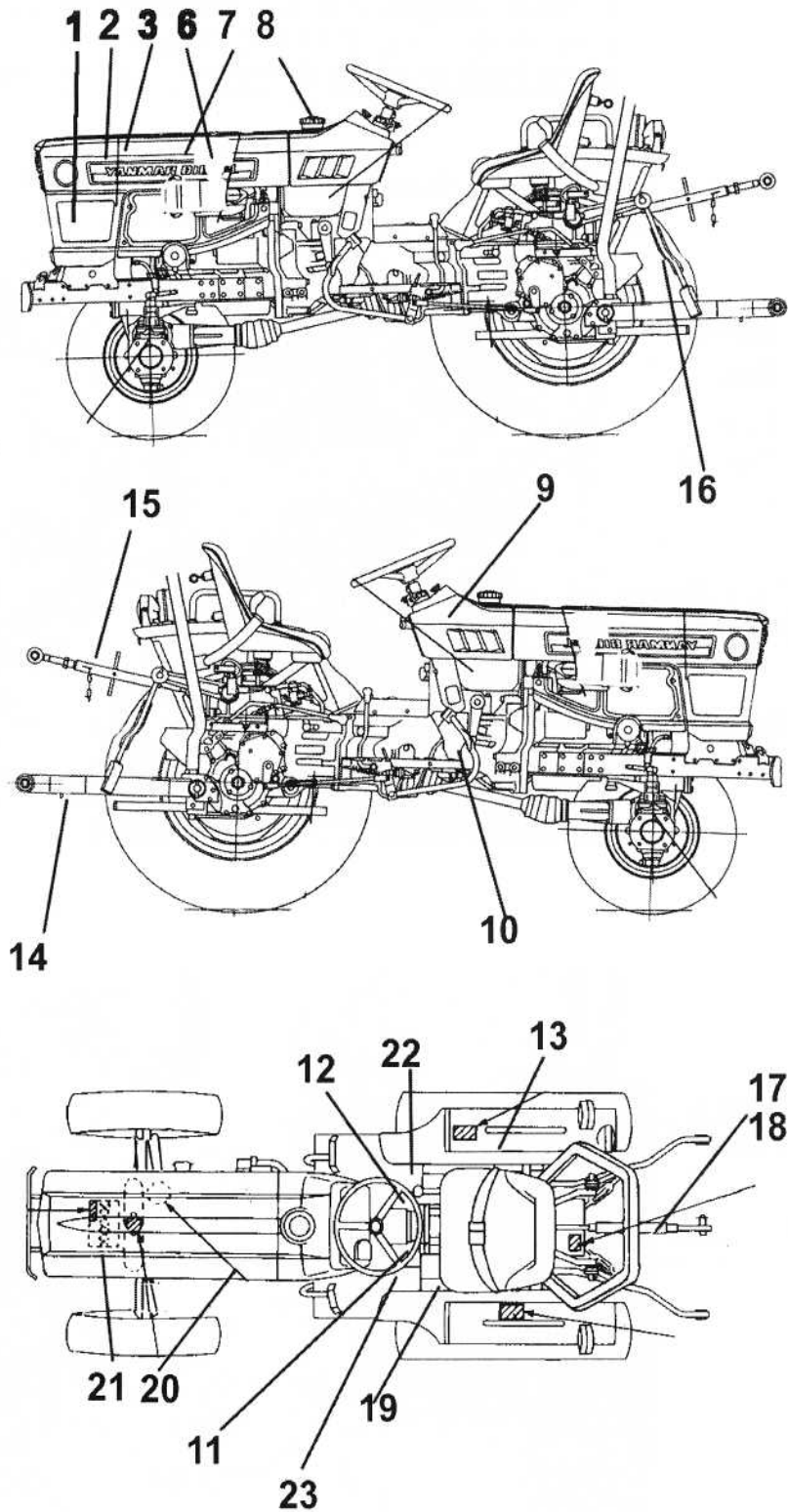


Components YM1700/1700D

- 1- Battery
- 2- Radiator sub tank
- 3- Radiator
- 4- Engine
- 5- Air cleaner
- 6- Fuel Tank
- 7- Throttle lever
- 8- Differential lock pedal
- 9- 4wd shift lever
- 10- Parking brake lever
- 11- Gear Shift lever
- 12- Range shift lever
- 13- Hydraulic control lever
- 14- Lift arm
- 15- upper link
- 16- side link
- 17- Drawbar
- 18- PTO shaft
- 19- PTO gear selector
- 20- Starter
- 21- Alternator
- 22- Differential lock pedal
- 23- 4wd Shift lever



SPECIFICATIONS YM1700/1700D

Model	YM1700 Tractor	YM1700D Tractor
Dimensions		
Overall length	98"	98"
Overall Width	44"	44"
Overall Height	69"	69"
Weight (Appx.)		
Dry	1664 lbs	1918 lbs
Engine		
	17PTO HP / 19 Engine HP	17PTO HP / 19 Engine HP
Type	2 Cylinder Inline Diesel	2 Cylinder Inline Diesel
Model	2TR17	2TR17
Slow idle speed	800RPM	800RPM
Working speed range	1800-2400 RPM	1800-2400 RPM
Displacement	1,021cc	1,021cc
Firing order (#1rear)	1-2	1-2
Valve Clearance		
INT	0.15mm (0.006 in)	0.15mm (0.006 in)
EXH	0.15mm (0.006 in)	0.15mm (0.006 in)
Lubrication System	Force feed, pressurized with full-flow spin-on filter	Force feed, pressurized with full-flow spin-on filter
Cooling System		
Type	ThermoSiphon	ThermoSiphon
Capacities		
Fuel Tank	5.8 Gal.	5.8 Gal.
Cooling System	4.4 Quarts*	4.4 Quarts*
Crankcase	5 Quarts*	5 Quarts*
Transmission	16 Quarts*	15.5 Quarts*
Front gear box	NA	6 Quarts*
Transmission		
Type	Sliding gear and const.mesh 2 speed range shift 4 speed gear shift	Sliding gear and const.mesh 2 speed range shift 4 speed gear shift
Gear Selection	8 forward 2 reverse	8 forward 2 reverse
Clutch	Single disc, dry	Single disc, dry
PTO		
Type	3 Speed trans. driven	3 Speed trans. driven
Speeds	540 @2200 1000 @2200 Engine speed	540 @2200 1000 @2200 Engine speed
Size	35mm (1-3/8") 6 spline	35mm (1-3/8") 6 spline
Clutch	Uses trans. clutch	Uses trans. clutch