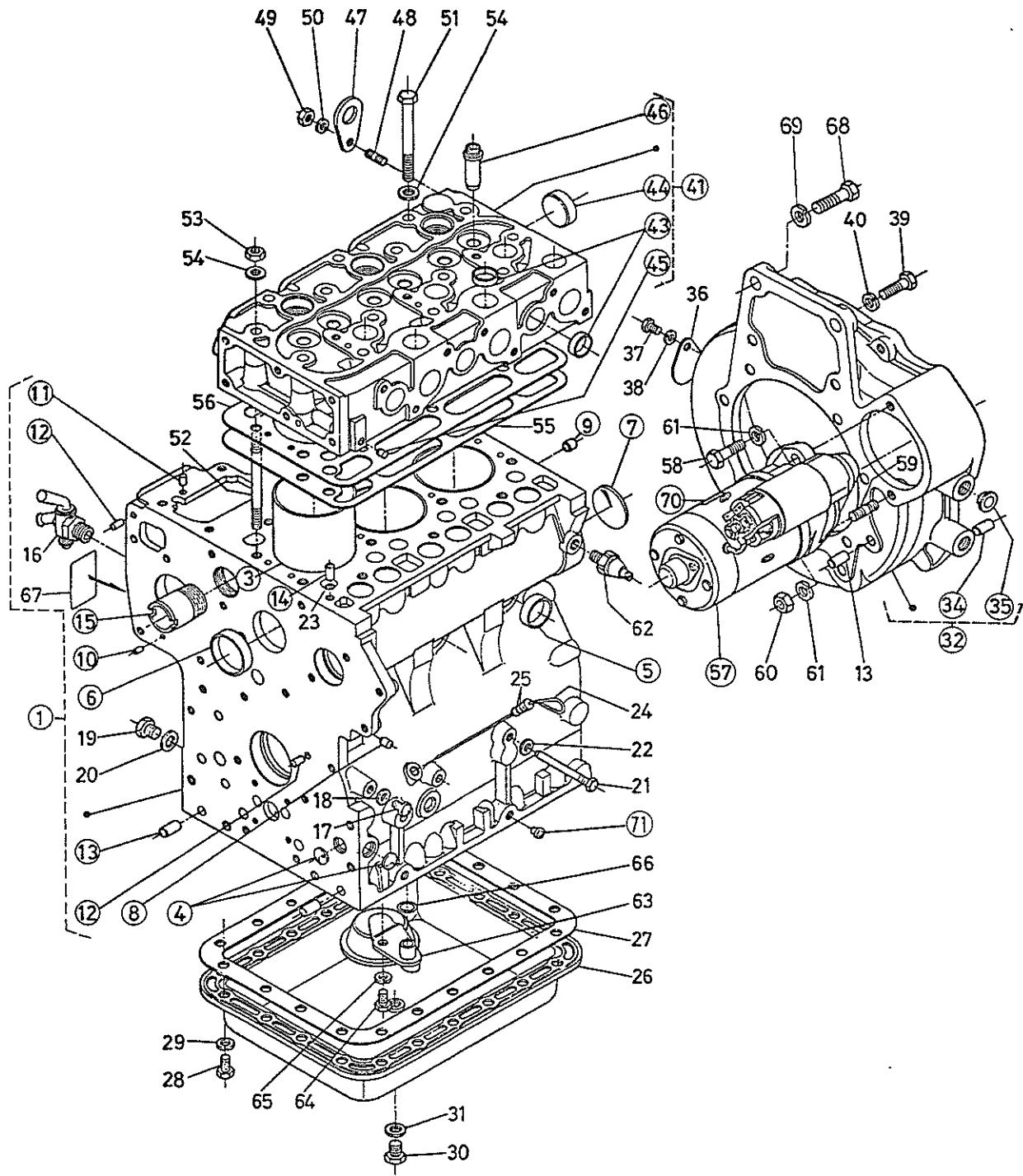


# 1. CRANKCASE GROUP [DI100-A]



# 1. CRANKCASE GROUP (D1100-A)

S	REF. No.	CODE No.	DESCRIPTION	UNIT	INTERCHANGEABILITY		REMARKS
					IC No.	SERIAL NUMBER	
	1	15321-0101-1	ASSY CRANKCASE	1			③~⑬, ⑰
	2		- BLANK -				
	③	15221-0231-4	LINER, cylinder	3	1~4		C Hone liner after inserting in crankcase
	4	06311-75015	PLUG, belch	3			
	⑤	15221-0338-3	PLUG	5	1~3		C
	6	15221-0339-2	PLUG	2	1~2		C
	7	06311-75045	PLUG, belch	1			
	8	15221-3363-1	PLUG, pin	2			
	9	15221-3364-1	PLUG	1			
	10	05012-00408	PIN	2			
	11	05012-00609	PIN	2			
	12	05012-00612	PIN	2			
	13	05012-01018	PIN	3			
	14	15221-3365-1	PIN, pipe	1			
	15	15221-7284-2	PIPE, water 3	1			
	16	14412-7311-2	ASSY COCK, drain	1			
	17	15221-3361-1	PLUG	4			
	18	15021-3366-1	GASKET	4			
	⑱	15221-3375-2	PLUG	1	1~2		C
	20	15109-3366-1	GASKET	1			
	⑳	15221-0455-2	BOLT, knock	2	1~2		C
	22	15021-3366-1	GASKET	2			
	23	15221-3370-1	O RING	1			
	㉑	15221-3641-3	GAUGE, oil	1	1~3		C
	25	04811-00050	O RING	2			
	26	15321-0161-2	COVER, oil	1			
	㉒	15321-0162-2	GASKET, oil cover	1	1~2		C
	28	01053-50816	BOLT	20			
	29	04512-50080	WASHER, lock	20			
	⑳	15221-3375-2	PLUG	1	1~2		C
	31	15109-3366-1	GASKET	1			
	㉓	15331-0460-2	ASSY HOUSING, flywheel	1	1~2		C ㉔, ㉕
	33		- BLANK -				
	34	05012-01018	PIN	2			
	35	31220-1429-3	PLUG 3	4			
	36	31220-1417-2	COVER	1			
	37	01053-50812	BOLT	1			
	38	04512-50080	WASHER, lock	1			
	39	01073-51030	BOLT	11			
	40	04512-50100	WASHER, lock	11			
	㉔	15321-0304-2	ASSY HEAD, cylinder	1	1~2		B ㉕~㉖
	42		- BLANK -				
	43	15221-0337-3	PLUG	9			
	㉕	15221-0349-3	PLUG	1	1~3		C
	45	15131-0138-1	PLUG	2			
	㉖	15221-1358-5	GUIDE, valve	6	3~5		C, B Ream guide after inserting in head
	47	15221-0175-1	HOOK, engine	2			
	48	01513-50816	STUD	2			
	49	02056-50080	NUT	2			
	50	04512-50080	WASHER, lock	2			
	51	15221-0345-1	BOLT, cylinder head	12			
	㉗	15221-0341-2	STUD, cylinder head	2	1~2		C
	53	15221-0351-1	NUT, cylinder head	2			
	54	15221-0354-1	WASHER, flat	14			
	㉘	15321-0331-1	GASKET, cylinder head	1	1	1.000~7.301	
	㉙	15321-0331-2	GASKET, cylinder head	1	2	1.001~	B
	㉚	15321-0332-3	SHIM, head gasket	1	1~3		C
	㉛	15321-6301-5	ASSY STARTER	1	4~5		C ㉜ To reference page 88
	58	01173-51030	BOLT	1			
	59	01517-51025	STUD	1			
	60	02176-50100	NUT	1			